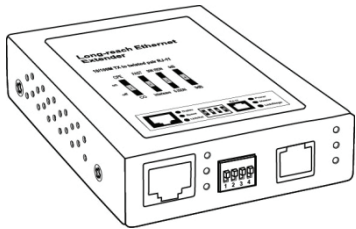
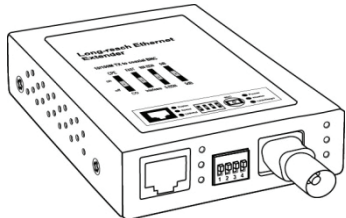




10/100Base-Tx Long Reach Ethernet Extender BNC/RJ11



User's Manual
DN-82040 · DN-82050

Introduction

Long Reach Ethernet Extender with one Ethernet port (on 1 RJ-45 connector) and one VDSL port on 1 RJ-11 / BNC connector. This is a bridge mode modem accommodating Ethernet and VDSL technologies to extend Ethernet over single-pair phone line by using a VDSL signal. Up to 100/60 Mbps (or 90/90 Mbps with synchronous data rate) transition bandwidth within 300m and 40/10 Mbps for 1km long range connections provides ultra-high performance to the pervasive telephone line network. Its plug-n-play solution minimum installation time & cost by allowing video streaming and data to share the same telephone pair without interference.

With one DIP switches configuration, the product includes the CO (Central Office) site and CPE (Customer Premise Equipment) site. The long distance support feature makes this extender be a great and ideal solution for FTTx (Fiber to the Building, Fiber to the Campus or Fiber to the Home) applications. It supports high bandwidth VDSL2 over existing telephone wires in the "last mile" from the ISP / Telecom / Service provider's fiber mode to the buildings and customers' home.

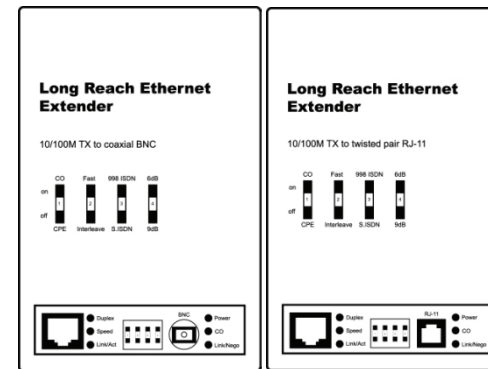
Key Features

- ◆ 1 full-duplex VDSL links via RJ-11 / BNC connector
- ◆ Selectable CO and CPE mode
- ◆ Selectable fast and interleaved mode
- ◆ Selectable target SNR margin
- ◆ Compliant with ETSI, ITU and ANSI standards

Front Panel (LEDs)

LED Indicators

LED	Status	Description
Duplex	On	RJ 45 port full duplex
	Off	RJ 45 port half duplex
Speed	On	RJ 45 connect at 100M
	off	RJ 45 connect at 10M
Link/Act	On	RJ 45 port is link
	Blinking	RJ 45 port Data is transmitting or receiving
Power	On	Power is on.
	Off	Power is off.
CO	On	Work as Master at Core center
	off	Work as CPE at Edge site
Negotiation /Link /Act	Blinking	Negotiation
	On	Link is connected
	flash Blinking	Data Active



DIP Switches Mode Configuration

DIP	1	2	3	4
On	CO	Fast	998ISDN	6dB
Off	CPE	Interleave	Symmetric	9dB

- ◆ Pin 1 CPE or CO mode selection
- ◆ Pin 2 Interleave mode or fast mode selection
- ◆ Pin 3 Symmetric ISDN Mode or 998 ISDN Mode selection
- ◆ Pin4 Signal Noise Rate selection for 9dB or 6dB

Package Contents

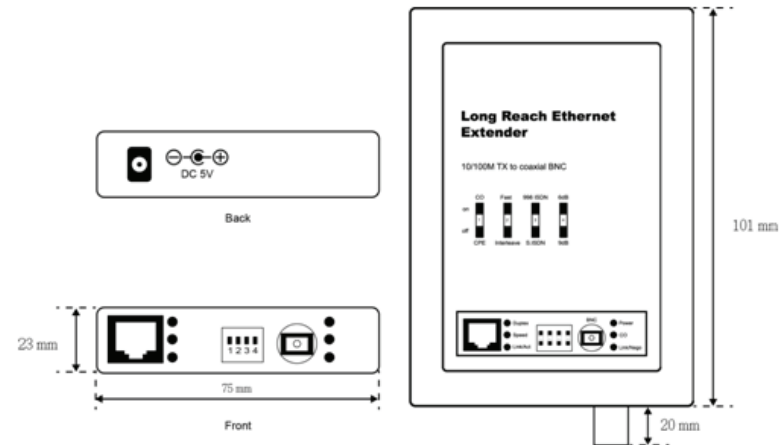
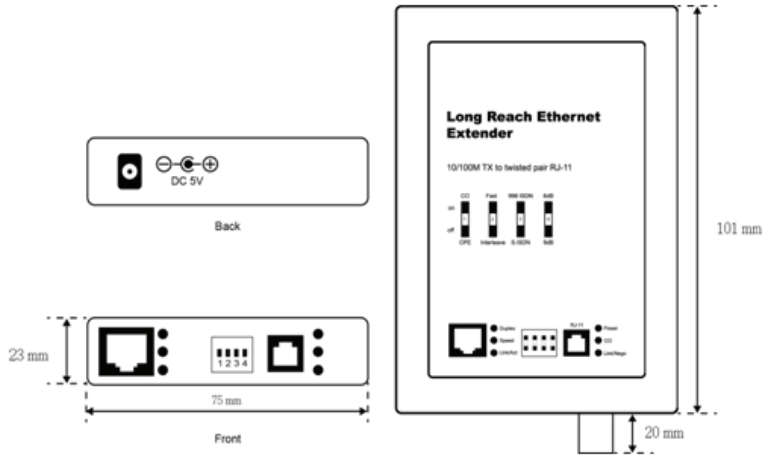
Before you start to install this switch, please verify your package that contains the following items:

- ◆ One Long Reach Ethernet Extender
- ◆ One Power Adaptor
- ◆ One User Manual



Note: If any of these items is found missing or damaged, please contact your local supplier for replacement.

Mechanical



Technical Specifications

Standards	IEEE802.3 10Base-T IEEE802.3u 100Base-TX IEEE802.3x Full Duplex ETSI ITU ANSI Full ITU-T G.993.1 (VDSL) compatible
Interface	G.997.1 compatible. RJ-11 female Phone Jack or BNC for coaxial cable) RJ-45 female Ethernet jack
Switching Method	Store and Forward
LED Indicators	Duplex Speed Link / Act Power Master Link / Negotiation
Power Input	DC 5V/2A
Dimensions	102 × 75 × 23 mm (L × W × H)
Weight	0.28 kg
Operating Temperature	0 to 45°C
Storage Temperature	-20 to 90°C
Humidity	10 to 90% RH (non-condensing)
Certifications	FCC Class A, CE

FCC Warning

This device has been tested and found to comply with limits for a Class A digital device and pursuant to Part 15 of FCC Rules. These limits are designed to provide a reasonable protection against harmful interference when the equipment is operated in a commercial environment. This equipment generates and radiates radio frequency energy. If it's not installed and used in accordance with the user's manual, it may cause interference. In which case, users will be required to correct interference at their own expenses.

CE Warning

This is a Class A product. In a domestic environment, this product may cause radio interference in which case the user may be required to take adequate measures.